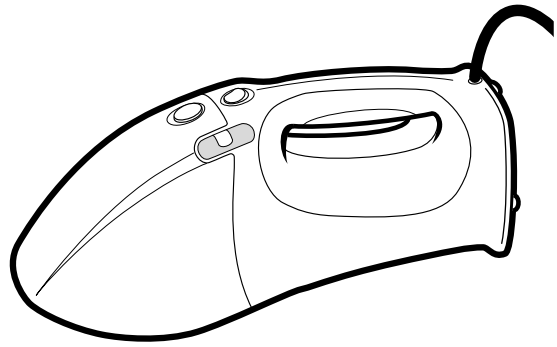


# BLACK & DECKER®

## Hand Vac

### Catalog No. HV7050

# INSTRUCTION MANUAL



BEFORE RETURNING THIS PRODUCT  
FOR ANY REASON PLEASE CALL

**1-800-54-HOW-TO (544-6986)**

IF YOU SHOULD EXPERIENCE A PROBLEM  
WITH YOUR BLACK & DECKER PRODUCT,  
CALL **1-800-54-HOW-TO (544-6986)**.

BEFORE YOU CALL, HAVE THE FOLLOWING INFORMATION  
AVAILABLE, CATALOG NO., TYPE NO., AND DATE CODE.  
IN MOST CASES, A BLACK & DECKER REPRESENTATIVE CAN RESOLVE  
YOUR PROBLEM OVER THE PHONE. IF YOU HAVE A SUGGESTION OR  
COMMENT, GIVE US A CALL. YOUR FEEDBACK IS VITAL TO BLACK & DECKER.

SAVE THIS MANUAL FOR FUTURE REFERENCE.

VEA EL ESPAÑOL EN LA CONTRAPORTADA.

INSTRUCTIVO DE OPERACIÓN, CENTROS DE SERVICIO Y PÓLIZA DE GARANTÍA.

⚠ **ADVERTENCIA:** LÉASE ESTE INSTRUCTIVO ANTES DE USAR EL PRODUCTO.

Form No. 5145535-00

Cat. HV7050

(DEC. '04)

Copyright © 2004 Black & Decker

Printed in China

## IMPORTANT SAFEGUARDS

When using electrical appliances, basic safety precautions should always be followed, including the following:

**PLEASE READ AND UNDERSTAND ALL INSTRUCTIONS CAREFULLY BEFORE USING THE UNIT.**

⚠ **WARNING:** To reduce the risk of fire, electrical shock or injury:

- Do not leave appliance when plugged in. Unplug from outlet when not in use and before servicing.
- Use indoors only. Do not use on wet surfaces.
- Do not store outdoors or on wet surfaces. To prevent tripping accidents, store vacuum after each use.
- Close supervision is necessary when any appliance is used near children. Do not allow to be used as a toy.
- Use only as described in this manual. Use only manufacturer's recommended attachments.
- Do not operate any appliance with a damaged cord or plug or after the appliance malfunctions, is left outdoors, dropped into water or is damaged in any manner. Return the appliance to any authorized service facility.
- Do not pull or carry by cord, do not use cord as a handle, do not close a door on cord or pull cord around sharp edges or corners, do not run appliance over cord. Keep cord away from heated surfaces.
- Do not unplug by pulling on cord. To unplug, grasp the plug, not the cord.
- Do not handle plug or appliance with wet hands.
- Do not put any object into unit openings. Do not use with any openings blocked; keep free of dust, lint, hair, and anything that may reduce air flow.
- Keep hair, loose clothing, fingers, and all parts of body away from openings and moving parts.
- Keep end of hose, wands and other openings away from your face and body.
- Use extra caution when cleaning on stairs.
- Keep work areas well lit.
- Do not vacuum any electrical appliances while they are plugged in.
- Do not use this product to pick up sharp objects, metallic debris or large, solid objects (i.e., rocks or pebbles), as product damage may result.
- Do not use to pick up any liquids, toxic substances, flammable or combustible liquids such as gasoline or use in areas where they may be present.
- Do not place or drop the product into water or other liquids, if the product falls into water, immediately unplug it from the electrical outlet. Do not touch or reach into the water.
- Do not use this product while standing in water or on wet surfaces.
- Do not vacuum burning or smoking materials, such as lit cigarette butts, matches or hot ashes.
- Do not use on or near hot surfaces. Keep cord away from heated surfaces.
- Do not use without dirt bowl and filters in place.
- Turn off the switch before unplugging.
- Use only extension cords UL-rated or cUL at 15 amperes. Extension cords rated for less amperage may overheat. Care should be taken to arrange the cord so that the cord cannot be pulled or tripped over.
- Using improper voltage may result in damage to the motor and possible injury to the user. Correct voltage is listed on the rating label.
- Always wear the appropriate shoes and clothing while operating this product.
- Look on your hand vacuum and follow all label and marking instructions.

⚠ **WARNINGS FOR BLOWING AND INFLATOR OPERATION:**

- The Blower and Inflator operation of this vacuum can result in foreign objects being blown into eyes, which can result in eye damage. **Always wear eye protection (not provided) when operating as blower or inflator.**
- Do not permanently cover openings of inflator accessories.
- Take care when using inflator accessories, some surfaces may become warm.
- Do not leave appliance unattended when inflating any items.

⚠ **WARNING:** Do not point tool exhaust at self, bystanders or animals.

⚠ **WARNING:** Always unplug the product from the electrical outlet before assembling, opening or emptying the container, or connecting/disconnecting the attachments.

⚠ **CAUTION:** Keep the suction intake opening free from obstruction at all times; otherwise the motor will overheat and product damage may result.

⚠ **CAUTION:** The hand vacuum is a very powerful unit. Before plugging cord into outlet make sure the switch is in the **OFF** position. Make sure to hold firmly when starting and in use.

⚠ **CAUTION:** NEVER EXCEED RECOMMENDED PRESSURE. The item being inflated may burst and cause injury. Soft inflatable material items will not have existing pressure rating. Be careful not to over-inflate.

⚠ **WARNING:** This product contains chemicals, including lead, known to the State of California to cause cancer, and birth defects or other reproductive harm. Wash hands after handling.

⚠ **WARNING:** Some dust created by this product contains chemicals known to the State of California to cause cancer, birth defects or other reproductive harm. Some examples of these chemicals are:

- compounds in fertilizers
- compounds in insecticides, herbicides and pesticides
- arsenic and chromium from chemically treated lumber

To reduce your exposure to these chemicals, wear approved safety equipment such as dust masks that are specially designed to filter out microscopic particles.

⚠ **CAUTION:** Wear appropriate personal hearing protection during use. Under some conditions and duration of use, noise from this product may contribute to hearing loss.

**IMPORTANT:** This motor is equipped with a motor protective thermostat. If the vacuum cleaner should overheat, the thermostat will automatically turn the unit OFF. Should this occur, turn OFF the switch and unplug the vacuum cleaner from the wall outlet. Allow the unit to cool. Check and clean filter system. To restart, re-plug into wall outlet and turn switch back ON.

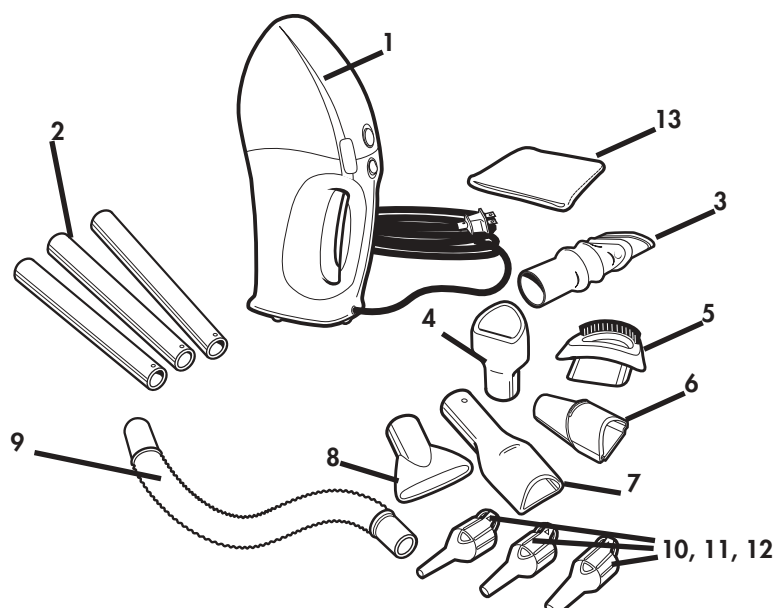
**IMPORTANT:** Washing filters improves vacuum performance. Make sure all filters are completely dry before inserting back in the hand vacuum.

This appliance is intended for household use only and not for commercial or industrial use.

## SAVE THESE INSTRUCTIONS

### Unpacking Your Hand Vac (Fig. 1)

Fig. 1



Before using your new Vacuum, please check that you have all the necessary parts and pieces. Refer to fig. 1 and the following list of parts. Note: Before disposing of packaging, be sure to remove all parts. If you have any problems, please call 1-800-54-HOW-TO (1-800-544-6986).

- |                              |                                |                                 |
|------------------------------|--------------------------------|---------------------------------|
| 1. Hand vac (1)              | 6. Crevice tool (1)            | 11. Medium inflator adaptor (1) |
| 2. Extension tubes (3)       | 7. Bowl adaptor (1)            | 12. Large inflator adaptor (1)  |
| 3. Flexible blow adaptor (1) | 8. Blow diffuser (1)           | 13. Storage bag                 |
| 4. Tool adaptor (1)          | 9. Flex hose (1)               |                                 |
| 5. Brush tool (1)            | 10. Small inflator adaptor (1) |                                 |

## Hand Vac Use      Utilisation de l'aspirateur Usó de la aspiradora

Fig. 2

On/Off Switch

Interrupteur

Interruptor de encendido y apagado

Bowl Lock Button  
Bouton de verrouillage  
du bac  
Botón de cierre del  
depósito

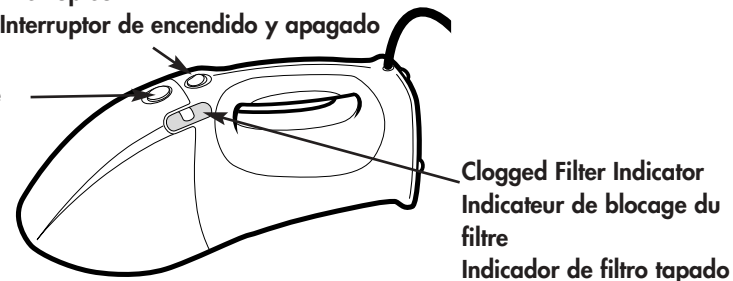


Fig. 3

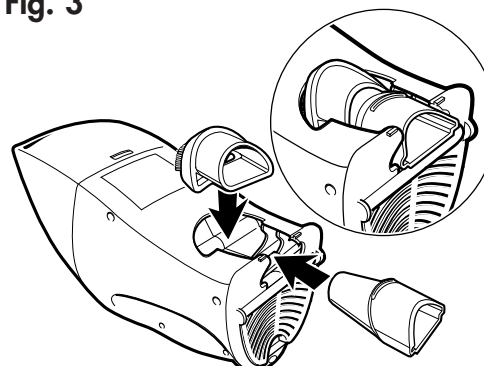
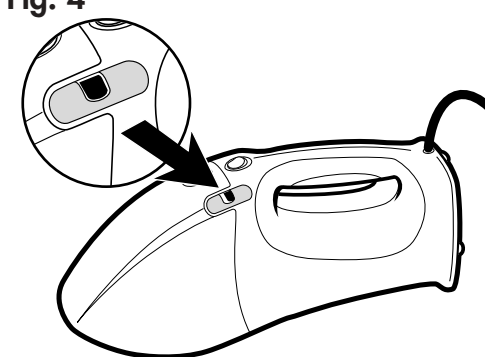
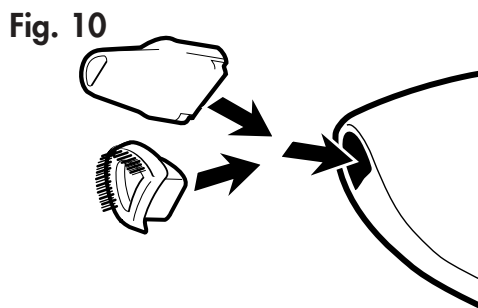
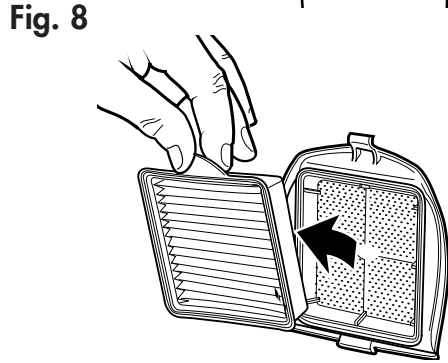
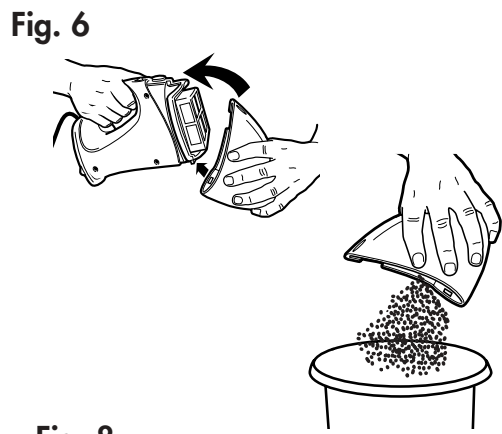
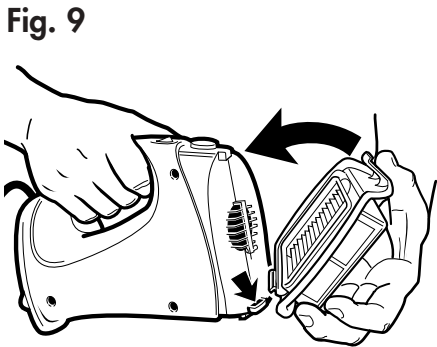
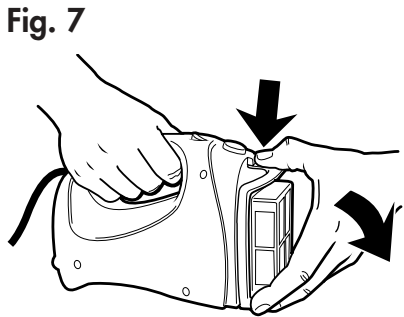
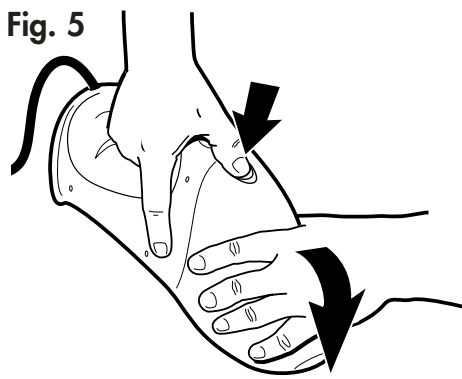


Fig. 4





**Fig. 11**

**VACUUM ACCESSORIES**  
**ACCESSOIRES DE L'ASPIRATEUR**  
**ACCESORIOS DE LA ASPIRADORA**

- CREVICES  
• SUCEUR PLAT  
• RINCONES
- DUSTING  
• BROSSE À ÉPOUSSETER  
• SACUDIR
- UPHOLSTERY  
• BROSSE À TISSU  
• TAPICERIA
- CORNERS  
• BROSSE POUR COINS  
• ESQUINAS
- FLOOR MOLDING  
• BROSSE À MOULURES  
• ZOCLOS

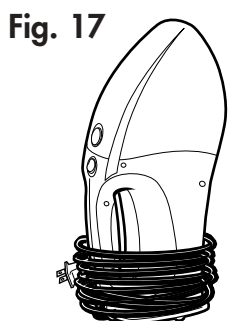
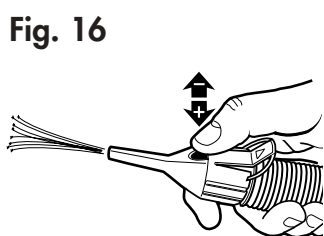
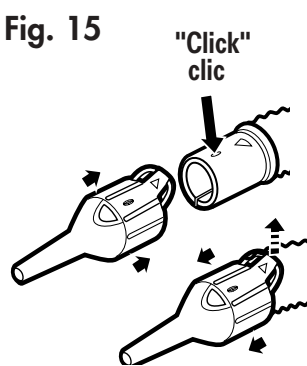
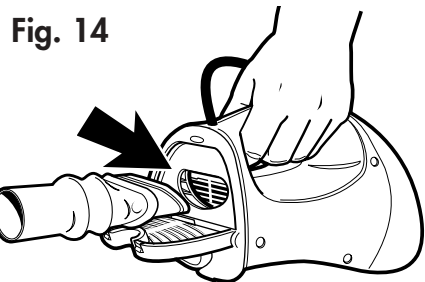
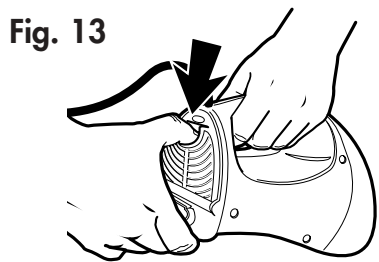
**NOTE! THIS PRODUCT IS INTENDED FOR INDOOR USE ONLY.**  
**NOTE! LE PRODUIT EST CONÇU POUR UNE UTILISATION À L'INTÉRIEUR SEULEMENT.**  
**¡NOTA! ESTE PRODUCTO ESTÁ DISEÑADO ÚNICAMENTE PARA USO BAJO TECHO.**

**Fig. 12**

**BLOWER ACCESSORIES**  
**ACCESSOIRES DE SOUFFLAGE**  
**ACCESORIOS DE SOPLADOR**

- GARAGES  
• GARAGES  
• COCHERAS
- PATIOS  
• TERRASSES  
• PATIOS
- RAFTS  
• CANOTS  
• PNEUMATIQUES  
• BALSAS
- AIR MATTRESSES  
• MATELAS  
• PNEUMATIQUES  
• COLCHONES DE AIRE
- BEACH BALLS  
• BALLONS DE PLAGE  
• PELOTAS DE PLAYA

**NOTE! THIS PRODUCT IS INTENDED FOR INDOOR USE ONLY.**  
**NOTE! LE PRODUIT EST CONÇU POUR UNE UTILISATION À L'INTÉRIEUR SEULEMENT.**  
**¡NOTA! ESTE PRODUCTO ESTÁ DISEÑADO ÚNICAMENTE PARA USO BAJO TECHO.**



## Using Your Hand Vac

To turn the Hand Vac on, press "I" on switch. To turn off, press "O" on switch.

⚠ **CAUTION:** The hand vacuum is a very powerful unit. Before plugging cord into outlet make sure the switch is in the **OFF** position. Make sure to hold firmly when starting and in use.

## Using The Accessories

### VACUUM ACCESSORIES

#### Accessories Fig. 3, 10

Two of the Hand Vac accessories are stored on board; the brush and crevice tool. They are positioned as shown in Fig. 3. See Fig. 10 for insertion of these tools into the bowl. The remaining accessories in Fig. 1 are shipped in the unit carton and can be stored in the storage bag provided. **Note: Make sure accessories are securely attached before use.**

#### Accessories Fig. 11

The accessories provided can be used in various combinations, depending on the task you need to do. Refer to Fig. 11 for arrangements of accessories to complete some typical tasks.

**Note: Make sure accessories are securely attached before use.**

### BLOWING ACCESSORIES - Fig. 12 - 16

⚠ **WARNING:** Always wear eye protection when operating as Blower or Inflator.

⚠ **CAUTION:** Make sure accessories are securely attached before use. When using the accessory hose for blowing or inflating, hold the hose end securely before turning "ON" and during use.

Refer to Fig. 12 for two typical arrangements of accessories to carry out either blowing or inflation. For increased flexibility in blowing it is possible to also fit the tubes to the end of the hose. **Blower:** To attach the blowing adapter, open the rear door by pulling on the top recess as shown in Fig. 13. Insert the blow adapter into the opening as shown in Fig. 14. The blow adaptor should fit snug, with the rib fitted against the rear wall of the vacuum.

**Inflation:** For inflation mode use the tapered adaptors supplied which best fits your application. Fit the inflation adaptor onto the hose, aligning the tab on the adaptor with the hole in the hose adaptor as shown in Fig. 15. Push adaptor in direction of arrow until it "clicks". To remove, lift the tab up and pull off the adaptor. During inflation control the airflow and pressure by covering the air bypass hole with your thumb as shown in Fig. 16.

⚠ **CAUTION:** Do not permanently cover the air bypass hole.

⚠ **CAUTION:** NEVER EXCEED RECOMMENDED PRESSURE. The item being inflated may burst and cause injury. Soft inflatable material items will not have existing pressure rating. Be careful not to over-inflate.

## Cleaning The Hand Vac

⚠ **CAUTION:** UNPLUG VACUUM BEFORE PERFORMING ANY MAINTENANCE.

### Cleaning Your Vac

Your Hand Vac is equipped with a clogged filter indicator as shown in Fig. 4. When the dirt bowl is full or the filters are plugged, the coloured indicator will move so it can be seen in the window on the fill indicator. When this happens the unit should be shut-off and checked for clogged accessories, a full dirt bowl, and dirty filters (both bowl filters and exhaust filter). After emptying the bowl or removing the clog the unit can be turned on and vacuuming continued.

### Emptying the Dirt Bowl

Grasp the unit as shown in Fig. 5, with your thumb pushing down on the unlock button as shown and rotate the dirt bowl down and away from the unit. Empty the dirt bowl Fig. 6.

### Removing the Filters

⚠ **WARNING:** Do not operate vacuum without filters in place.

Your Hand Vac comes equipped with a 2 stage filter in the bowl plus an exhaust filter.

To remove the first stage filter grasp the unit as shown in Fig. 7.

With your other hand grasp the filter and push down on the latch located at the top of the filter. Rotate the filter down and off the unit.

To remove the 2nd stage filter grasp the filter and remove it as shown in Fig. 8. Tap or shake dust from filter. Both filters can be cleaned by rinsing under running water. Dry completely before replacing into the unit.

To replace the filters simply reverse the process making sure the 1st stage filter is located in the hook on the bottom face of the unit before rotating into place as shown by Fig. 9.

To clean exhaust filter, open rear blow door and pull filter out of recess. Wash filter by rinsing with water, dry thoroughly before replacing.

## Storage

### Storage

The electrical cord is wrapped around the unit for storage as shown in Fig. 17. Accessories can be stored in the storage bag supplied.

## Polarized Plug

### Safety Instructions: Polarized Plugs

To reduce the risk of electric shock, this equipment has a polarized plug (one blade is wider than the other). Polarized connections will fit together only one way. If the power cord plug does not fit fully into the receptacle, reverse the plug. If it still does not fit fully into the outlet, contact a qualified electrician to install the proper outlet. Do not change the vacuum power cord in any way.

## Replacement Parts And Maintenance

### Replacement Filter

Replacement filters may be purchased from your Black & Decker Service Center or retailer. Use only genuine Black & Decker replacement parts for your vacuum.

### Maintenance

**IMPORTANT: UNPLUG VACUUM BEFORE PERFORMING ANY MAINTENANCE.**

Use only mild soap and a damp cloth to clean your vacuum. Never let any liquid get inside the vacuum; never immerse any part of the vacuum into a liquid.

**Note: Make sure the vacuum is completely dry before using it.**

### Important

To assure product safety and reliability; repairs, maintenance and adjustments (other than those listed in this manual) should be performed by authorized service centers or other qualified service organizations, always using identical replacement parts.

### Service Information

Black & Decker offers a full network of company-owned and authorized service locations throughout North America. All Black & Decker Service Centers are staffed with trained personnel to provide customers with efficient and reliable power tool service. Whether you need technical advice, repair, or genuine factory replacement parts, contact the Black & Decker location nearest you. To find your local service location, refer to the yellow page directory under "Tools—Electric" or call: 1-800-54-HOW-TO (1-800-544-6986).

### Full Two-Year Home Use Warranty

Black & Decker (U.S.) Inc. warrants this product for two years against any defects in material or workmanship. The defective product will be replaced or repaired at no charge in either of two ways: The first, which will result in exchanges only, is to return the product to the retailer from whom it was purchased (provided that the store is a participating retailer). Returns should be made within the time period of the retailer's policy for exchanges (usually 30 to 90 days after the sale). Proof of purchase may be required. Please check with the retailer for their specific return policy regarding returns that are beyond the time set for exchanges.

The second option is to take or send the product (prepaid) to a Black & Decker owned or authorized Service Center for repair or replacement at our option. Proof of purchase may be

required. Black & Decker owned and authorized service centers are listed under "Tools-Electric" in the yellow pages of the phone directory.

This warranty does not apply to accessories. This warranty gives you specific legal rights and you may have other rights which vary from state to state. Should you have any questions, contact the manager of your nearest Black & Decker Service Center.

This product is not intended for commercial use.

Imported by  
Black & Decker (U.S.) Inc.,  
701 E. Joppa Rd.  
Towson, MD 21286 U.S.A.



See 'Tools-Electric'  
- Yellow Pages -  
for Service & Sales



# Aspirateur portatif

## Modèle HV7050

### GUIDE D'UTILISATION

AVANT DE RETOURNER LE PRODUIT,  
PEU IMPORTE LA RAISON,  
PRIÈRE DE COMPOSER LE  
1 800 544-6986

CONSERVER LE PRÉSENT GUIDE À TITRE DE RÉFÉRENCE.

### IMPORTANTES MESURES DE SÉCURITÉ

Lorsqu'on utilise des outils électriques, il faut toujours respecter certaines mesures de sécurité, notamment suivantes.

**LIRE ET COMPRENDRE TOUTES LES DIRECTIVES AVANT D'UTILISER L'APPAREIL.**

**⚠ AVERTISSEMENT : Se conformer aux mesures suivantes afin d'éviter les risques d'incendie, de secousses électriques ou de blessures.**

- Ne pas laisser l'appareil branché sans surveillance. Le débrancher lorsqu'on ne s'en sert pas ou qu'on doit le réparer.
- Utiliser à l'intérieur seulement. Ne pas s'en servir sur des surfaces mouillées.
- Ne pas utiliser ni ranger l'appareil à l'extérieur ou sur des surfaces mouillées. Afin de ne pas trébucher, ranger l'aspirateur après chaque utilisation.
- Surveiller avec vigilance lorsque des enfants se trouvent à proximité de tout appareil. Il ne s'agit pas d'un jouet.
- Utiliser seulement aux fins décrites dans le présent guide. Utiliser seulement des accessoires recommandés par le fabricant.
- Ne pas utiliser un appareil dont la fiche ou le cordon est abîmé, qui présente un problème de fonctionnement, qui est laissé à l'extérieur, qui est tombé dans l'eau ou qui est endommagé. Le rapporter au centre de service autorisé de la région.
- Ne pas tirer sur le cordon, ni transporter l'appareil par le cordon. Ne pas se servir du cordon comme d'une poignée. Ne pas refermer une porte sur le cordon ni tirer sur le cordon lorsqu'il se trouve près d'une arête ou d'un coin tranchant. Ne pas faire passer l'appareil sur le cordon. Éloigner le cordon des surfaces chauffées.
- Ne pas tirer sur le cordon pour débrancher l'appareil. Il faut plutôt saisir la fiche.
- Ne pas manipuler la fiche ni l'appareil lorsque les mains sont mouillées.
- Ne rien insérer dans les orifices. Ne pas utiliser lorsque les orifices sont bloqués; s'assurer qu'il n'y a aucune accumulation de poussière, de charpie, de cheveux ou de tout autre corps qui pourrait réduire le débit d'air.
- Éloigner les cheveux, les vêtements amples, les doigts et tout autre membre des orifices et des pièces en mouvement.
- Éloigner le bout du tuyau, des rallonges ou toute autre ouverture du visage et du corps.
- Faire preuve d'une extrême prudence lors du nettoyage d'escaliers.
- S'assurer que la zone de travail est bien éclairée.
- Ne pas nettoyer des appareils électriques branchés.
- Ne pas aspirer des objets pointus, des débris métalliques ni tout autre objet dur et gros (comme des roches ou des pierres) au risque d'endommager le produit.
- Ne ramasser aucun liquide, substance toxique ni liquide inflammable ou combustible, comme de l'essence, et ne pas s'en servir dans un endroit renfermant de tels produits.
- Ne pas déposer ni échapper le produit dans de l'eau ni tout autre liquide. Le cas échéant, débrancher immédiatement le produit de la prise. Ne pas toucher à l'eau ni y plonger la main.
- Ne pas se servir du produit lorsqu'on se tient dans l'eau ou sur une surface mouillée.
- Ne ramasser aucun corps en combustion ou fumant, comme des cigarettes, des allumettes et des cendres chaudes.
- Ne pas utiliser sur des surfaces chaudes ou près de celles-ci. Éloigner le cordon des surfaces chauffées.
- Ne pas utiliser sans le bac à poussière et les filtres en place.
- Mettre l'appareil hors tension avant de le débrancher.
- Utiliser seulement des cordons de rallonge homologués UL ou cUL d'une intensité de 15 ampères. Des cordons de rallonge de faible intensité risquent de surchauffer. S'assurer qu'on ne puisse trébucher sur le cordon ni le tirer.
- L'utilisation d'une mauvaise tension risque d'endommager le moteur et de blesser l'utilisateur. La tension appropriée est indiquée sur la plaque signalétique de l'appareil.
- Toujours porter des chaussures et des vêtements appropriés lors de l'utilisation de l'appareil.
- Vérifier l'appareil et respecter toutes les consignes qui y sont inscrites.
- ⚠ **AVERTISSEMENTS RELATIFS À L'UTILISATION EN MODE DE SOUFFLAGE ET DE GONFLAGE**
- Lorsqu'on utilise l'aspirateur en mode de soufflage ou de gonflage, des corps étrangers peuvent être projetés vers les yeux au risque de les blesser. **Toujours porter des lunettes de protection (vendues séparément) dans ces modes d'utilisation.**
- Ne pas laisser les accessoires de gonflage en place de façon permanente.
- Prendre garde lorsqu'on utilise des accessoires de gonflage; certaines surfaces peuvent devenir brûlantes.
- Ne pas laisser l'appareil sans surveillance lors du gonflage d'articles.
- ⚠ **AVERTISSEMENT : Ne pas diriger l'orifice d'évacuation vers quiconque.**
- ⚠ **AVERTISSEMENT : Toujours débrancher l'appareil avant de l'assembler, de l'ouvrir, d'en vider le bac, d'y fixer ou d'en retirer des accessoires.**
- ⚠ **MISE EN GARDE : S'assurer que l'orifice d'admission est libre de toute obstruction en tout temps au risque de causer la surchauffe du moteur et d'endommager l'appareil.**
- ⚠ **MISE EN GARDE : L'aspirateur portatif est un appareil très puissant. S'assurer que l'interrupteur est à la position hors tension (OFF) avant de brancher l'appareil. Tenir l'appareil fermement lorsqu'on le met en marche et qu'on s'en sert.**
- ⚠ **MISE EN GARDE : NE JAMAIS DÉPASSER LA PRESSION RECOMMANDÉE.** Sinon l'article gonflé peut éclater et occasionner des blessures. Des articles gonflables faits de matériaux doux n'ont pas de pression recommandée. Éviter de trop gonfler.
- ⚠ **AVERTISSEMENT : Le produit renferme des produits chimiques, dont du plomb. Selon l'état de la Californie, ce produit chimique peut causer le cancer ainsi que des malformations congénitales, et il présente d'autres dangers au système reproductif humain. Se laver les mains après l'utilisation.**
- ⚠ **AVERTISSEMENT : Le produit génère de la poussière qui peut renfermer des produits chimiques. Selon l'état de la Californie, ces produits chimiques peuvent causer le cancer ainsi que des malformations congénitales, et ils présentent d'autres dangers au système reproductif humain. Voici des exemples de tels produits chimiques :**
  - les composés d'engrais;
  - les composés d'insecticides, d'herbicides et de pesticides;
  - l'arsenic et le chrome provenant de bois traité.

Afin de minimiser les risques, porter de l'équipement de sécurité approuvé comme des masques antipoussières spécialement conçu pour filtrer les particules microscopiques.

⚠ **MISE EN GARDE : Porter de l'équipement de protection de l'ouïe lors de l'utilisation de l'appareil.**

Dans certaines conditions et durées d'utilisation, le bruit du produit peut occasionner la perte de l'ouïe.

**IMPORTANT : Le moteur comporte un thermostat de sûreté. En cas de surchauffe de l'appareil, le thermostat éteint automatiquement l'appareil. Le cas échéant, mettre l'interrupteur en position hors tension et débrancher l'appareil de la prise. Laisser l'appareil refroidir. Vérifier et nettoyer le système de filtration. Pour remettre l'appareil en marche, brancher l'appareil et actionner l'interrupteur.**

**IMPORTANT : Le lavage des filtres améliore le rendement de l'appareil. S'assurer que les filtres sont complètement secs avant de les remettre en place.**

L'appareil est conçu pour une utilisation domestique seulement, et non pour une utilisation commerciale ou industrielle.

### CONSERVER CES MESURES.

### Déballage de l'aspirateur portatif (Fig. 1)

Avant d'utiliser l'aspirateur, s'assurer d'avoir toutes les pièces nécessaires. Consulter la figure 1 et la liste suivante des pièces dans l'emballage. Note : Avant de se débarrasser de l'emballage, bien en retirer toutes les pièces. En cas de problème, communiquer avec le service à la clientèle au 1 800 544-6986.

1. Aspirateur portatif (1)
2. Tubes de rallonge (3)
3. Adaptateur souple de soufflage (1)
4. Adaptateur d'accessoire (1)
5. Brosse (1)
6. Suceur plat (1)
7. Adaptateur pour bac (1)
8. Diffuseur de soufflage (1)
9. Boyau souple(1)
10. Petit adaptateur de gonflage (1)
11. Moyen adaptateur de gonflage (1)
12. Grand adaptateur de gonflage (1)
13. Sac de rangement

### Utilisation de l'aspirateur portatif

Pour actionner l'appareil, enfoncer la mention "I" de l'interrupteur. Pour l'arrêter, enfoncer la mention "O" de l'interrupteur.

⚠ **MISE EN GARDE : L'aspirateur portatif est un appareil très puissant. S'assurer que l'interrupteur est à la position hors tension (OFF) avant de brancher l'appareil. Tenir l'appareil fermement lorsqu'on le met en marche et qu'on s'en sert.**

### Utilisation des accessoires

#### ACCESSOIRES DE L'ASPIRATEUR

##### Accessoires des figures 3 et 10

Deux des accessoires de l'appareil sont rangés sur celui-ci; il s'agit de la brosse et du suceur plat. La figure 3 montre leur emplacement. La figure 10 montre comment les installer dans le bac. Les autres accessoires montrés à la figure 1 se trouvent dans l'emballage de l'appareil et on peut les ranger dans le sac de rangement fourni.

**Note : S'assurer que les accessoires sont bien installés avant d'utiliser l'appareil.**

##### Accessoires de la figure 11

Les accessoires fournis peuvent servir dans diverses combinaisons, selon la tâche à accomplir. La figure 11 donne des exemples de combinaisons d'accessoires pour effectuer des tâches typiques.

**Note : S'assurer que les accessoires sont bien installés avant d'utiliser l'appareil.**

#### ACCESSOIRES DE SOUFFLAGE (fig. 12 à 16)

⚠ **AVERTISSEMENT : Toujours porter des lunettes de protection lorsqu'on utilise l'appareil en mode de soufflage ou de gonflage.**

⚠ **MISE EN GARDE : S'assurer que les accessoires sont bien installés avant d'utiliser l'appareil. Lorsqu'on utilise le boyau en mode de soufflage ou de gonflage, tenir fermement l'extrémité du boyau avant d'actionner l'appareil et pendant l'utilisation.**

La figure 12 montre deux combinaisons typiques d'accessoires pour souffler ou gonfler. Pour augmenter la souplesse lors du soufflage, on peut également insérer les tubes au bout du boyau.

**Soufflage :** Pour installer l'adaptateur de soufflage, ouvrir la porte arrière en tirant sur le creux du dessus (fig. 13). Insérer l'adaptateur de soufflage dans l'ouverture (fig. 14). L'adaptateur de soufflage devrait être bien en place avec la rainure contre la paroi arrière de l'aspirateur.

**Gonflage :** Pour gonfler, utiliser l'adaptateur conique fourni qui convient le mieux à la tâche à accomplir. Insérer l'adaptateur dans le boyau en alignant la patte de l'adaptateur sur le trou de l'adaptateur du boyau (fig. 15). Pousser l'adaptateur dans le sens de la flèche jusqu'à ce qu'il s'enclenche en place. Pour le retirer, soulever la patte et tirer sur l'adaptateur. Lors du gonflage, vérifier le débit d'air et la pression en couvrant le trou avec le pouce (fig. 16).

⚠ **MISE EN GARDE : Ne pas couvrir le trou en permanence.**

⚠ **MISE EN GARDE : NE JAMAIS DÉPASSER LA PRESSION RECOMMANDÉE.** Sinon l'article gonflé peut éclater et occasionner des blessures. Des articles gonflables faits de matériaux doux n'ont pas de pression recommandée. Éviter de trop gonfler.

### Nettoyage de l'aspirateur portatif

⚠ **MISE EN GARDE : DÉBRANCHER L'ASPIRATEUR AVANT D'EFFECTUER TOUT TRAVAUX D'ENTRETIEN.**

#### Nettoyage de l'aspirateur

L'aspirateur portatif comporte un indicateur de blocage du filtre (fig. 4). Lorsque le bac à poussières est plein ou que le filtre est bloqué, l'indicateur de couleur se déplace de façon à ce qu'on puisse le voir. Le cas échéant, il faut arrêter l'appareil et le vérifier pour voir si les pièces sont bloquées, le bac est plein ou les filtres sont sales (le filtre du bac et celui du système d'évacuation). Après avoir vidé le bac ou débarrassé l'appareil, on peut le remettre en marche et s'en servir.

#### Vidage du bac

Saisir l'appareil de la manière illustrée à la figure 5 et se servir du pouce pour abaisser le bouton de déverrouillage de la façon illustrée, puis faire tourner le bac vers le bas et hors de l'appareil. Vider le bac (fig. 6).

#### Retrait des filtres

⚠ **AVERTISSEMENT : Ne pas se servir de l'appareil sans les filtres en place.**

L'appareil comporte un double filtre dans le bac et un filtre dans le système d'évacuation.

Pour retirer le premier filtre du bac, saisir l'appareil de la façon illustrée à la figure 7.

De l'autre main, saisir le filtre et abaisser la patte sur le dessus du filtre.

Faire tourner le filtre vers le bas et le tirer hors de l'appareil.

Pour retirer le deuxième filtre, le saisir et le retirer de la façon illustrée à la figure 8. Taper sur le filtre ou le secouer pour enlever la poussière. On peut rincer les deux filtres du bac sous l'eau du robinet. Il faut bien les assécher avant de les remettre dans l'appareil.

Pour remettre les filtres en place, il suffit de répéter les instructions précédentes dans l'ordre inverse en s'assurant que le premier filtre du bac se trouve sur le crochet au bas de l'appareil avant de le faire tourner en place (fig. 9).

Pour nettoyer le filtre du système d'évacuation, ouvrir la porte arrière de soufflage et tirer le filtre hors du creux. Laver le filtre en le rinçant à l'eau et bien l'assécher avant de le remettre en place.

### Rangement

#### Rangement

Le cordon électrique s'enroule autour de l'appareil pour le rangement (fig. 17). Les accessoires peuvent être placés dans le sac de rangement fourni.

## Fiche polarisée

### Mesuras de sécurité : Fiche polarisée

Le produit est muni d'une fiche polarisée (une lame plus large que l'autre) afin de minimiser les risques de secousses électriques. Ce genre de fiche n'entre que d'une façon dans une prise polarisée. Lorsqu'on ne peut insérer la fiche à fond dans la rallonge, il faut tenter de le faire après avoir inversé les lames de côté. Si la fiche n'entre toujours pas dans la rallonge, il faut communiquer avec un électricien certifié pour qu'il installe une prise appropriée. Il ne faut pas modifier la fiche de l'appareil.

## Pièces de rechange et entretien

### Filtre de rechange

On peut se acheter des filtres de rechange au centre de service Black & Decker de la région. Utiliser seulement des pièces de rechange d'origine pour l'aspirateur.

### Entretien

#### IMPORTANT : DÉBRANCHER L'ASPIRATEUR AVANT D'EFFECTUER DES TRAVAUX D'ENTRETIEN.

Utiliser seulement du savon doux et un chiffon humide pour nettoyer l'aspirateur. Ne jamais laisser un liquide s'infiltrer dans l'appareil et ne jamais en immerger une partie.

**Note : S'assurer que l'aspirateur est complètement sec avant de s'en servir.**

### Important

Pour assurer la sécurité d'emploi et la fiabilité de l'outil, n'en confier la réparation, l'entretien et les rajustements (autres que ceux spécifiés dans le présent guide) qu'à un centre de service ou à un atelier d'entretien autorisé n'utilisant que des pièces de rechange identiques.

### Renseignements relatifs au service

Black & Decker exploite un réseau complet de centres de service et d'ateliers d'entretien autorisés par toute l'Amérique du Nord. Le personnel de tous les centres de service Black & Decker a reçu la formation voulue pour assurer l'entretien efficace et fiable des outils électriques. Pour obtenir des renseignements d'ordre technique, des conseils relatifs aux réparations ou des pièces de rechange d'origine, communiquer avec le centre de service Black & Decker de la région. On peut trouver l'adresse du centre de service de la région dans l'annuaire des Pages Jaunes à la rubrique «Outils électriques» ou en composant le numéro suivant : **1 800 544-6986**.

### Garantie complète de deux ans pour utilisation domestique

Black & Decker garantit le produit pour une période de deux ans contre les vices de matière ou de fabrication. Le produit défectueux sera réparé ou remplacé sans frais conformément à l'une des conditions suivantes.

Pour échanger l'outil, il suffit de le retourner au détaillant (si le détaillant participe au programme d'échange rapide Black & Decker). Le retour doit être effectué dans les délais impartis par la politique de retour du détaillant (habituellement entre 30 et 90 jours suivant la date d'achat). Le détaillant peut exiger une preuve d'achat. Prière de vérifier la politique de retour du détaillant au-delà des délais impartis.

On peut également retourner l'outil (port payé) à un centre de service Black & Decker ou à tout autre atelier d'entretien accrédité pour y être remplacé ou réparé, à notre gré. On peut exiger une preuve d'achat. Les adresses des centres de service Black & Decker se trouvent à la rubrique «Outils électriques» des Pages Jaunes.

La présente garantie ne vaut pas pour les accessoires. Les modalités de la présente garantie donnent des droits légaux spécifiques. L'utilisateur peut également se prévaloir d'autres droits selon l'état ou la province qu'il habite. Pour obtenir de plus amples renseignements, communiquer avec le directeur du centre de service Black & Decker de la région.

Le produit n'est pas conçu pour une utilisation commerciale.

Importé par  
Black & Decker Canada Inc.  
100 Central Ave.  
Brockville (Ontario) K6V 5W6

Voir la rubrique "Outils électriques"  
des Pages jaunes  
pour le service et les ventes.



# Aspiradora de mano

## Catálogo No. HV7050

## MANUAL DE INSTRUCCIONES

ANTES DE DEVOLVER ESTE PRODUCTO  
POR CUALQUIER MOTIVO POR FAVOR LLAME  
(55)5326-7100

### CONSERVE ESTE MANUAL PARA FUTURAS REFERENCIAS

### RECOMENDACIONES IMPORTANTES

Cuando utilice aparatos eléctricos, debe seguir siempre ciertas precauciones básicas de seguridad, entre las que se encuentran las siguientes:

**POR FAVOR LEA CUIDADAMENTE TODAS LAS INSTRUCCIONES ANTES DE USAR LA UNIDAD.**

- ⚠ **ADVERTENCIA:** Para reducir los riesgos de incendio, choque eléctrico y lesiones:  
Cuando utilice aparatos eléctricos, debe seguir siempre ciertas precauciones básicas de seguridad, entre las que se encuentran las siguientes:
  - No deje el aparato cuando esté conectado. Desconecte de la toma de corriente cuando no lo use y antes de darle servicio.
  - Utilícese únicamente bajo techo. No se use en superficies mojadas.
  - No se use o guarde a la intemperie o en superficies mojadas. Para evitar tropezarse, guarde la aspiradora después de cada uso.
  - Se requiere supervisión cercana cuando cualquier aparato es utilizado por niños o cerca de ellos. No permita que se use como juguete.
  - Utilícese únicamente como se describe en este manual. Utilice solamente los accesorios recomendados por el fabricante.
  - No opere ningún aparato con el cable o clavija dañados, o después de que la unidad funciona mal, se dejó a la intemperie, cayó al agua o se daña en cualquier manera. Lleve el aparato a cualquier centro de servicio autorizado.
  - No tire de la aspiradora tomándola por el cable, no utilice el cable como asa, no cierre una puerta por encima del cable, ni pase éste alrededor de bordes o esquinas afiladas. No pase la aspiradora sobre el cable. Aleje el cable de superficies calientes.
  - No desconecte tirando del cable. Para desconectar, sujete la clavija, no el cable.
  - No maneje la clavija o el aparato con las manos mojadas.
  - No coloque ningún objeto en las aberturas de la unidad. No utilice la unidad si alguna abertura está bloqueada; conserve las aberturas libres de polvo, pelusas, pelo y cualesquiera otros objetos que bloqueen el flujo de aire.
  - Conserve cabello, prendas de vestir sueltas, dedos y demás partes del cuerpo lejos de las aberturas y otras partes móviles.
  - Conserve el extremo de la manguera, las extensiones y otras aberturas lejos de su cara y el cuerpo.
  - Tenga mucho cuidado cuando utilice la unidad en escaleras.
  - Conserve el área de trabajo bien iluminada.
  - No aspire ningún aparato eléctrico mientras esté conectado.
  - No recoja objetos afilados desechos metálicos, ni objetos grandes y sólidos (p.e. cuentas o

pedras) que pudiesen dañar la aspiradora o sus filtros.

- No se use para recoger líquidos, sustancias, tóxicas, líquidos inflamables o combustibles como gasolina ni se emplee en donde puedan estar presentes.
- No coloque o suelte el producto en agua u otros líquidos, si el producto cae al agua, desconéctelo inmediatamente de la toma de corriente. No lo alcance ni lo toque en el agua.
- No coloque los accesorios mientras la unidad esté en funcionamiento.
- No aspire materiales humeantes ni que estén quemándose, como colillas de cigarro, cerillos o cenizas calientes.
- No se utilice sobre superficies calientes ni cerca de ellas.
- No se utilice sin que el depósito de basura y los filtros estén en su sitio.
- Apague el interruptor antes de desconectar.
- Utilice únicamente extensiones clasificadas por UL para 15 amperes. Los cables de extensión clasificados para un amperaje menor pueden sobrecalentarse. Tenga cuidado de colocar el cable de tal manera que no se enrede o tropiece con éste.
- El uso de voltaje incorrecto puede ocasionarle daños al motor y posibles lesiones a los usuarios. El voltaje correcto. Está señalado en la etiqueta de clasificación.
- Utilice siempre los zapatos y las prendas de vestir apropiados cuando opere este producto.
- Examine su aspiradora de mano y siga todas las instrucciones marcadas.

#### ⚠ **ADVERTENCIAS SOBRE LA OPERACIÓN COMO SOPLADOR E INFLADOR:**

- La operación de esta aspiradora como soplador e inflador puede ocasionar que salgan despedidos hacia los ojos del operador objetos extraños, con el riesgo de lesión ocular. **Utilice protección ocular (no provista) siempre que se opere como soplador o inflador.**
- No cubra de manera permanente las aberturas de los accesorios del inflador.
- Tenga cuidado cuando utilice los accesorios del inflador, algunas superficies pueden calentarse.
- No deje desatendido el aparato cuando infle algún artículo.

⚠ **ADVERTENCIA: No apunte la salida de la herramienta hacia usted mismos, espectadores o animales.**

⚠ **ADVERTENCIA:** Desconecte siempre el producto de la toma de corriente antes de ensamblarlo abrir o vaciar el contenedor o conectar y desconectar los dispositivos.

⚠ **PRECAUCIÓN:** Conserve la abertura de succión libre de obstrucciones en todo momento; de otra manera, el motor se sobrecalentará con el consiguiente riesgo de daños al producto.

⚠ **PRECAUCIÓN:** La aspiradora de mano es una unidad muy potente. Antes de conectarla a la toma de corriente asegúrese de que el interruptor esté en posición de **APAGADO**. Asegúrese de sujetarla con firmeza al encenderla y al usarla.

⚠ **PRECAUCIÓN:** NUNCA EXCEDA LA PRESIÓN RECOMENDADA. El artículo que esté inflando puede estallar y ocasionar lesiones. Los artículos inflables hechos con materiales suaves no tienen una presión de inflado preestablecida. Sea cuidadoso para no inflar excesivamente.

⚠ **ADVERTENCIA:** Este producto contiene químicos, incluyendo plomo, que en el Estado de California se consideran como causantes de cáncer y defectos congénitos u otros daños reproductivos. Lave sus manos después de manejarlo.

⚠ **ADVERTENCIA:** Parte del polvo originado por este producto contiene químicos que en el Estado de California se consideran como causantes de cáncer, defectos congénitos u otros daños reproductivos. Algunos ejemplos de estos químicos son:

- compuestos en fertilizantes
- compuestos en insecticidas, herbicidas y pesticidas
- arsénico y cromo de madera tratada químicamente

Para reducir su exposición a estos químicos, utilice equipo de seguridad aprobado como máscaras contra polvo diseñadas específicamente para filtrar partículas microscópicas.

⚠ **PRECAUCIÓN:** Utilice la protección auditiva adecuada durante el uso de este producto. Bajo algunas condiciones y duración de uso, el ruido producido por este producto puede contribuir a la pérdida auditiva.

**IMPORTANTE:** Este motor está equipado con un termostato para su protección. Si la aspiradora se sobrecalienta, el termostato **APAGARÁ** automáticamente la unidad. Si esto ocurre, **APAGUE** el interruptor y desconecte la unidad de la toma de corriente. Permita que la unidad se enfríe. Revise y limpie el sistema de filtrado. Para encender de nuevo, conecte la unidad a la toma de corriente y coloque el interruptor en posición de **ENCENDIDO**.

**IMPORTANTE:** Lavar el filtro mejora el rendimiento de la aspiradora. Asegúrese de que todos los filtros estén completamente secos antes de insertarlos de vuelta en la aspiradora de mano.

## CONSERVE ESTAS INSTRUCCIONES

### Desempaque su aspiradora de mano (Fig. 1)

Este aparato está diseñado para uso doméstico y no es para uso comercial o industrial. Antes de usar su aspiradora nueva, por favor verifique que tenga todas las partes y piezas necesarias. Consulte la figura 1 y la siguiente lista de partes. Nota: antes de desechar el empaque, asegúrese de sacar todas las piezas. Si tiene problemas, por favor llame al 1-800-54-HOW-TO (1-800-544-5986).

- |  |                               |   |
|--|-------------------------------|---|
| 1. Aspiradora de mano (1)              | 6. Esquinero (1)              | 10. Adaptador pequeño para inflador (1) |
| 2. Tubos de extensión (3)              | 7. Adaptador del depósito (1) | 11. Adaptador mediano para inflador (1) |
| 3. Adaptador flexible para soplado (1) | 8. Difusor de soplado (1)     | 12. Adaptador grande para inflador (1)  |
| 4. Adaptador de herramienta (1)        | 9. Manguera flexible (1)      | 13. Bolsa para guardar                  |
| 5. Cepillo (1)                         |                               |   |

## Uso de su aspiradora

Para encender la aspiradora, presione "I" en el interruptor. Para apagarla, presione "O" en el interruptor.

⚠ **PRECAUCIÓN:** La aspiradora de mano es una unidad muy potente. Antes de conectarla a la toma de corriente asegúrese de que el interruptor esté en posición de **APAGADO**. Asegúrese de sujetarla con firmeza al encenderla y al usarla.

## Uso de los accesorios

### ACCESORIOS DE ASPIRADORA

#### Accesorios Figs. 3, 10

Dos de los accesorios de la aspiradora de mano se guardan a bordo; el cepillo y el esquinero. Se colocan como se observa en la figura 3. Observe en la figura 10 la manera de insertar estas piezas en el depósito. Los accesorios restantes de la figura 1 vienen en el empaque y pueden guardarse en la bolsa que se le proporciona.

Nota: Asegúrese de que los accesorios estén instalados de manera segura antes de usarse.

#### Accesorios Fig. 11

Los accesorios proporcionados se pueden utilizar en diversas combinaciones, dependiendo de la tarea que necesite efectuar. Consulte en la figura 11 los arreglos de accesorios para completar algunas tareas típicas

**Nota: Asegúrese de que los accesorios estén instalados de manera segura antes de usarse.**

### ACCESORIOS DE SOPLADO - Figs. 12 - 16

⚠ **ADVERTENCIA:** Utilice protección ocular siempre que se opere como soplador o inflador.

⚠ **PRECAUCIÓN:** Asegúrese de que los accesorios estén instalados de manera segura antes de usarlos. Cuando utilice la manguera para soplar o para inflar, sujete el extremo con firmeza antes de encender la unidad y durante el uso.

Consulte en la figura 12 dos arreglos típicos de accesorios para llevar a cabo tareas de soplado inflado. Para mayor flexibilidad en el soplado es posible acoplar los tubos en el extremo de la manguera.

**Soplador:** Para colocar el adaptador para soplado, abra la puerta trasera tirando de la cavidad de la parte superior como se muestra en la figura 13. Inserte el adaptador de soplado

en la abertura como se ilustra en la figura 14. El adaptador de soplado de quedar ajustado, con la costilla contra la pared trasera de la aspiradora.

**Inflado:** Para el modo de inflado, utilice de entre los adaptadores cónicos que le suministramos el que mejor se adapte a su aplicación. Acople el adaptador a la manguera, alineando la lengüeta con el orificio de l adaptador de la manguera, como se observa en la figura 15. Empuje el adaptador en dirección de la flecha hasta escuchar un chasquido. Para sacarlo, levante la lengüeta y tire del adaptador. Durante el inflado, controle el flujo de aire y la presión cubriendo el orificio de paso de aire con su pulgar, como se muestra en la figura 16.

**⚠PRECAUCIÓN: No cubra de manera permanente el orificio de paso de aire.**

**⚠PRECAUCIÓN: NUNCA EXCEDA LA PRESIÓN RECOMENDADA.** El artículo que vaya a inflar puede estallar y ocasionarle una lesión. Los artículos de inflar hechos de materiales suaves no tienen una presión de inflado preestablecida. Sea cuidadoso de no inflar en exceso.

## Limpieza de la aspiradora de mano

**⚠PRECAUCIÓN: DESCONECTE LA ASPIRADORA ANTES DE EFECTUAR CUALQUIER TIPO DE MANTENIMIENTO.**

### Limpieza de su aspiradora

Su aspiradora está equipada con un indicador de filtro tapado, como se muestra en la figura 4. Cuando el depósito de basura se llena o los filtros se tapan, el indicador de color se mueve de manera que pueda ser visto en la ventanilla del indicador de llenado. Cuando esto ocurra la unidad deberá apagarse y revisarse en busca de accesorios bloqueados, de depósito lleno y filtros sucios (ambos filtros, el del depósito y el de salida). Después de vaciar el depósito o de retirar el tapón, la unidad podrá encenderse de nuevo y podrá continuarse con el aspirado.

### Vaciado del depósito de basura

Sujete la unidad como se observa en la figura 5, con su pulgar oprimiendo en el botón del seguro como se observa y gire el depósito de basura hacia abajo y hacia fuera de la unidad. Vacíe el depósito de basura. Fig. 6.

### Remoción de los filtros

**⚠ADVERTENCIA:** No opere la aspiradora sin los filtros en su sitio.

Su aspiradora de mano viene equipada con un filtro de 2 etapas en el depósito más un filtro de escape. Para sacar el filtro de primera etapa sujete la unidad como se observa en la figura 7.

Con su otra mano sujete el filtro y empuje hacia abajo en el seguro que se encuentra en la parte superior del filtro. Gire el filtro hacia abajo y hacia fuera de la unidad.

Para remover el filtro de segunda etapa, sujete el filtro y retírelo como se observa en la figura 8. Golpee o agite el filtro para sacudir el polvo. Ambos filtros pueden limpiarse enjuagándolos con agua corriente. Séquelos completamente antes de colocarlos en la unidad de nuevo.

Para colocar de nuevo los filtros, simplemente invierta el proceso asegurándose de que el filtro de primera etapa se encuentre en el gancho de la cara inferior de la unidad antes de girarlo a su posición como se muestra en la figura 9.

Para limpiar el filtro de escape, abra la puerta trasera de soplado y tire del filtro hacia fuera de la cavidad. Lave el filtro enjuagándolo con agua, séquelo completamente ante de colocarlo de nuevo.

## Guardado

### Guardado

El cable eléctrico está enrollado alrededor de la unidad para guardarla, como se muestra en la Fig. 17. Los accesorios pueden guardarse en la bolsa que se proporciona.

## Clavija polarizada

### Instrucciones de seguridad: clavijas polarizadas

Para reducir el riesgo de choque eléctrico, este equipo cuenta con una clavija polarizada (con una pata más ancha que la otra). Las conexiones polarizadas solamente se acoplan de una manera. Si la clavija del cable de alimentación no se acopla perfectamente a la toma de corriente, inviértala. Si aún así no queda bien en la toma, comuníquese con un electricista calificado para que instale una toma de corriente apropiada. No modifique el cable de la aspiradora en ninguna manera.

## Piezas de repuesto y mantenimiento

### Filtro de repuesto

Los filtros de repuesto pueden adquirirse con su distribuidor o centro de servicio autorizado Black & Decker. Utilice únicamente refacciones genuinas Black & Decker para su aspiradora.

### Mantenimiento

**IMPORTANTE: DESCONECTE AL ASPIRADORA ANTES DE EFECTUAR CUALQUIER TIPO DE MANTENIMIENTO.**

Utilice únicamente jabón suave y un trapo húmedo para limpiar su aspiradora. Nunca permita que se introduzca ningún líquido en la aspiradora; nunca sumerja ninguna parte de la aspiradora en ningún líquido.

**Nota: Asegúrese de que la aspiradora esté perfectamente seca antes de usarla.**

### Importante

Para garantizar la seguridad y la confiabilidad del producto; las reparaciones, el mantenimiento y los ajustes (diferentes a los mencionados en este manual) deberán ser efectuados por centros de servicio autorizado u otras organizaciones de servicio calificadas que utilicen siempre refacciones idénticas.

### Información de servicio

Black & Decker ofrece una red completa de centros de servicio propiedad de la compañía y franquiciados a través de toda Norteamérica. Todos los centros de servicio Black & Decker cuentan con personal capacitado para proporcionar el servicio a herramientas más eficiente y confiable.

Siempre que necesite consejo técnico, reparaciones o partes de repuesto genuinas, comuníquese con el centro Black & Decker más cercano a usted.

Para encontrar su centro de servicio local, consulte la sección amarilla bajo "Herramientas eléctricas", o llame al: **(55) 5326-7100**

### Garantía completa para uso doméstico por dos años

Black & Decker (U.S.) garantiza este producto por dos años completos contra cualquier falla originada por materiales o mano de obra defectuosos. El producto defectuoso será reemplazado o reparado sin cargo alguno en cualquiera de las siguientes dos maneras:

La primera, que resulta únicamente en cambios, es regresar el producto al vendedor al que se compró (en la suposición que es un distribuidor participante). Las devoluciones deberán hacerse dentro del tiempo estipulado por la política de cambios del distribuidor (usualmente de 30 a 90 días después de la venta). Se puede requerir prueba de compra. Por favor verifique con el vendedor las políticas específicas de devolución relacionadas a las devoluciones en tiempo posterior al estipulado para cambios.

La segunda opción es llevar o enviar el producto (con porte pagado) a los centros de servicio Black & Decker propios o autorizados, para que la reparamos o reemplacemos a nuestra opción. Se puede requerir prueba de compra. Los centros de servicio Black & Decker propios y autorizados están enlistados bajo "Herramientas eléctricas" en la sección amarilla del directorio telefónico.

Este producto no está diseñado para uso comercial.

### ESPECIFICACIONES

Tension de alimentación:	120 V AC
Potencia nominal:	900 W
Frecuencia de operación:	60 Hz
Consumo de corriente:	7,5 A

### Para reparación y servicio de sus herramientas eléctricas, favor de dirigirse al Centro de Servicio más cercano:

#### CULIACAN, SIN

Av. Nicolás Bravo #1063 Sur  
(667) 7 12 42 11  
Col. Industrial Bravo

#### GUADALAJARA, JAL

Av. La Paz #1779  
(33) 3825 6978  
Col. Americana Sector Juarez

#### MEXICO, D.F.

Eje Central Lázaro Cardenas  
No. 18  
(55) 5588 9377  
Local D, Col. Obrera

#### MERIDA, YUC

Calle 63 #459-A  
(999) 928 5038  
Col. Centro

#### MONTERREY, N.L.

Av. Francisco I. Madero  
No.831  
(81) 8375 2313  
Col. Centro

#### PUEBLA, PUE

17 Norte #205  
(222) 246 3714  
Col. Centro

#### QUERETARO, QRO

Av. Madero 139 Pte.  
(442) 214 1660  
Col. Centro

#### SAN LUIS POTOSI, SLP

Av. Universidad 1525  
(444) 814 2383  
Col. San Luis

#### TORREON, COAH

Blvd. Independencia, 96 Pte.  
(871) 716 5265  
Col. Centro

#### VERACRUZ, VER

Prolongación Díaz Mirón #4280  
(229)921 7016  
Col. Remes

#### VILLAHERMOSA, TAB

Constitución 516-A  
(993) 312 5111  
Col. Centro

**PARA OTRAS LOCALIDADES LLAME AL: (55) 5326 7100**

Para servicio y ventas consulte  
"HERRAMIENTAS ELECTRICAS"  
en la sección amarilla.



IMPORTADOR: BLACK & DECKER S.A. DE C.V.  
BOSQUES DE CIDROS ACCESO RADIATAS NO. 42  
BOSQUES DE LAS LOMAS, 05120 MEXICO, D.F.  
(55) 5326-7100